

okuma
INSPIRED FISHING



SURF 8K

**Long Casting Surf Reel
Super Slow Oscillation**

okuma



SURF 8K

INSPIRED BY DESIGN

Okuma brand new concept of long casting spinning reel in 2018, Surf 8K, not only remains Okuma's patent designs such as rotor brake system, rotor with brush guards, quick-set anti-reverse system..... but also upgrades all functions and parts. Surf 8K equips worm shaft transmission system and super slow oscillation system make the line wind more straight and tight, reduce the friction when casting. The taper spool for longer casting distance, it's perfect for long casting use at wide water.

Super Slow Oscillation

Long Stroke Spool : 45mm

- Super Slow Oscillation
- Worm shaft transmission system
- CFR: cyclonic flow rotor
- Rotor with brush guards - prevent line twist effectively
- Taper aluminum spool
- 5BB+1RB stainless steel bearings
- Quick set anti reverse roller bearing
- Machine cut brass pinion gear
- FPD : Fast Progressive Drag front drag System
- Two stainless steel round line clips
- Rotor brake system
- Hydro block water tight drag seal
- Rigid thicker even flow rotor system
- Carbonite washers drag system
- Rigid Zinc handle arm
- TPE ergo grip
- Corrosion Resistant Graphite Body





CFR CYCLONIC
FLOW
ROTOR

Cyclonic Flow Rotor

Cyclonic Flow Rotor (CFR) was designed to create “cyclonic” airflow, which significantly increases air around the rotor, beneath and around the spool, with every turn of the handle. This thoroughly tested design allows for a much faster drying time if the reel becomes wet, minimizing corrosion and extending longevity of the reel.

SLOW OSCILLATION SYSTEM

Makes the line wind more straight and tight, reduce the friction when casting. Uper Long Stroke Spool 45mm.

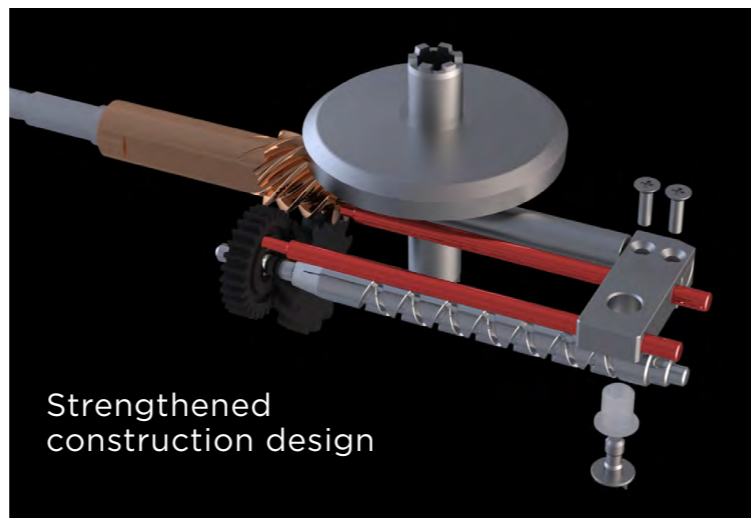


SUPER LONG STROKE SPOOL 45MM



WORM SHAFT TRANSMISSION SYSTEM

Surf 8K equips upgraded worm shaft transmission system, strengthens the construction, let the reel more rigid, makes the line wind more straight and tight, working more smoothly.



SPARE ALUMINUM SHALLOW SPOOL (ON OPTION)



FAST PROGRESSIVE DRAG

This fast progressive drag allows a setting from low drag power to almost full drag power in less than 360° rotation

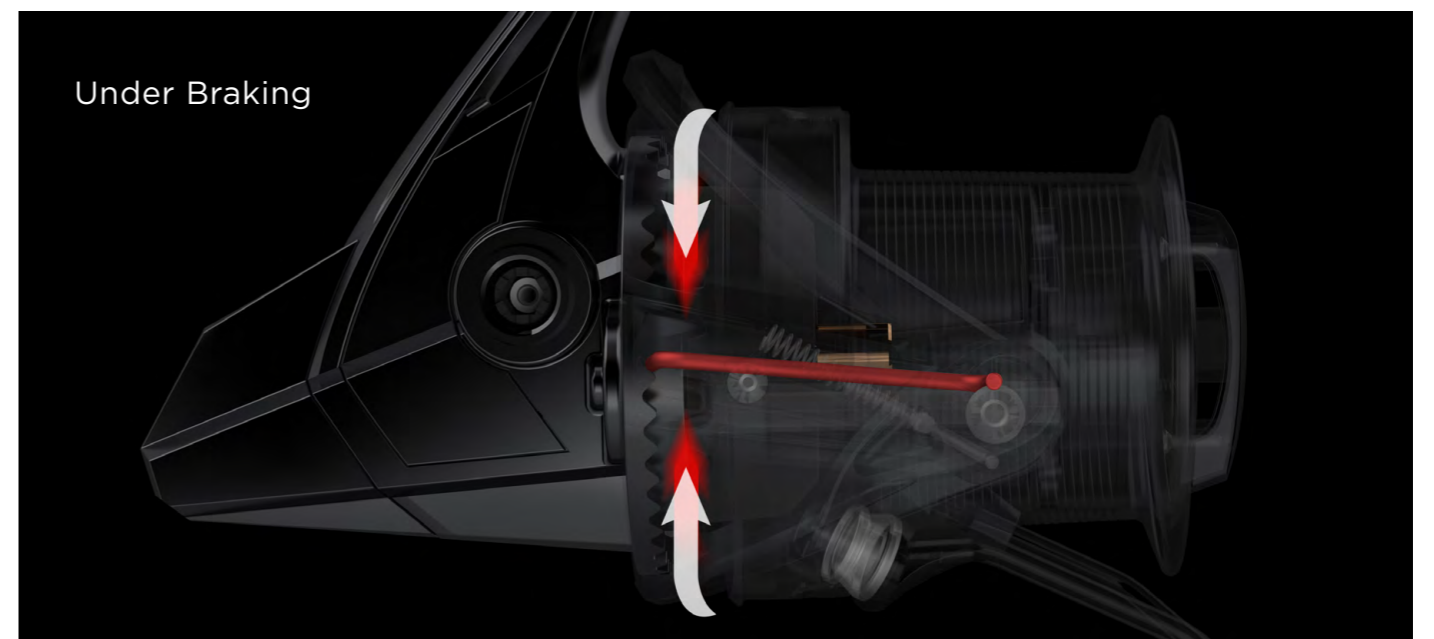


ROTOR WITH BRUSH GUARDS

Prevent line twist between rotor and main shaft effectively.

ROTOR BRAKE SYSTEM

Prevent rotor to turn around and reverse when casting.





SURF 8K

Model	Gear ratio	Bearings	Weight	Line retrieve	Max Drag Force	Monofilament line capacity	Frame	Spool
SURF-8K	4.7:1	5BB+1RB	763g	108cm	18kg	0.35mm/550M	GR	ALU

okuma
INSPIRED FISHING