

A large, expressive blue brushstroke graphic that starts from the top left and sweeps across the upper half of the page, ending near the center. The stroke is thick and textured, with some black areas where the brush has been applied.

2024 Product manual

Tenna

okuma
INSPIRED FISHING

okuma
INSPIRED FISHING



Tenma

INSPIRED BY *CONTROL*

Tenma

okuma
INSPIRED FISHING

INSPIRED BY CONTROL

The Okuma Tenma is designed to make rock shore fishing effortless and more rewarding. Lightweight, smooth, and optimized for long casts, it redefines big lure casting.

Conventional spinning reels can be frustrating—heavy, hard to reel, and prone to excessive line friction that limits casting distance and efficiency. With the Tenma, those challenges are a thing of the past. Cast farther and fish bigger.



SMOOTH CASTING

FLITE SPOOL™

MCS

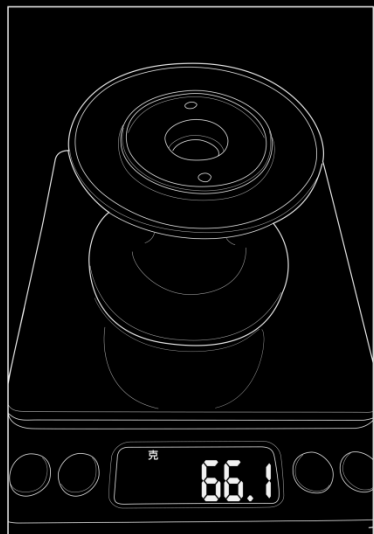
FAST RETRIEVAL

7.0, XL GEAR

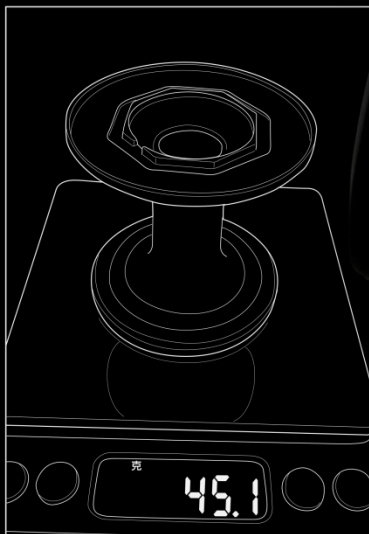
**LIGHTWEIGHT
AND
DURABLE**

FULL ALUMINUM BODY
CONSTRUCTION

CAVALLA



Tenma



FLITE™
SPOOL



FLITE SPOOL™

The ultra-light spool can accommodate a wider range of lure weights, increasing versatility. Its lightness also effectively enhances casting distance

MACHINED RIGID FRAME CONSTRUCTION

Okuma's Machined Rigid Frame construction incorporates a one-piece fully-machined aluminum frame. These rigid bar-stock aluminum frames are the ultimate in precision alignment and tolerances withstanding more pressure and torque than any other material used in our industry for frame materials.



XL GEAR : OVERSIZE STAINLESS STEEL GEARING

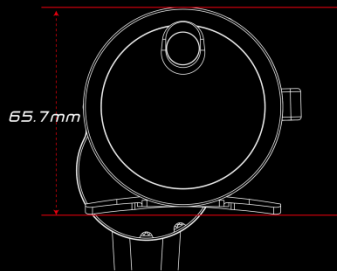
To achieve fast and effortless reeling, the XL gear is paired with a 7.0 high gear ratio. This effectively reduces the number of handle turns needed, making retrieval easier while significantly enhancing gear durability.



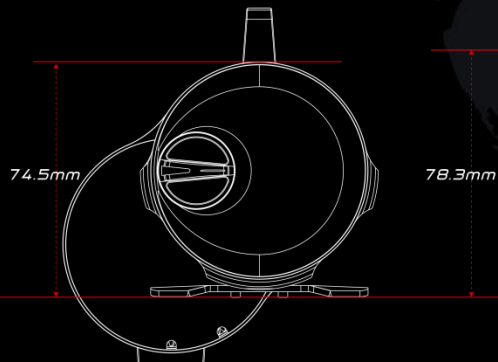
MCS

External adjustable magnetic cast control system

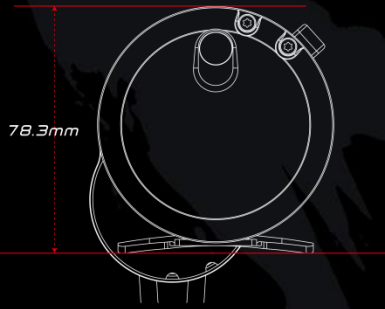
CAVALLA
CAV-5



TENMA
TM-10WXA



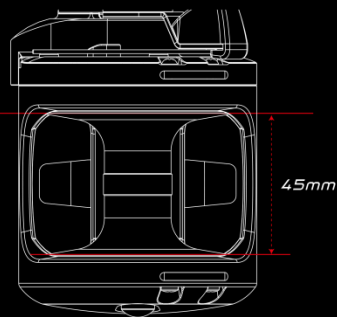
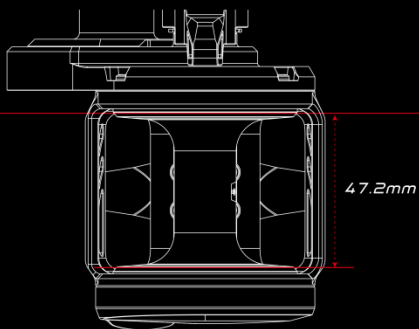
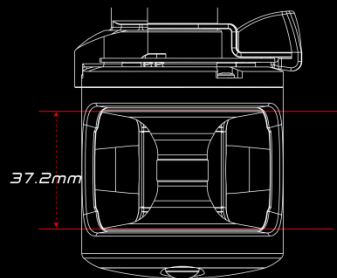
CAVALLA
CAV-12



SIZE COMPARATION

The Tenma 10 size falls between the CAVALLA 5 and CAVALLA 12.

Refer to the comparison chart to see the actual size of the Tenma 10.





**ALUMINUM HANDLE ARM
FOR STRENGTH AND LIGHT WEIGHT
CARBON KNOB.**



FLITE™ SPOOL

MAGNETIC CONTROL SYSTEM



- MRF : Full machined aluminum frame and side plate
- XL GEAR : Oversize Stainless steel gearing
- Cold forged, Type-II anodized, machined aluminum spool
- FLITE SPOOL™ for super tuned and long casting
- MCS : External adjustable magnetic cast control system
- CARBON DRAG : Carbonite high output drag with Cal's drag grease
- Heavy duty, stainless steel gear shaft and spool shafts
- Precision placement of drain holes maximizes water removal from reel
- Aluminum handle arm for strength and light weight carbon knob
- CRC : Corrosion Resistant Coating process
- Spool pin system for use with braided lines
- Double anti-reverse system : OWC and ratchet mechanisms
- Braid line only

Tenma



TM-10WXA



TM-10WXLA



MODEL	Gear Ratio	Bearing	Weight (oz)	Spool OD/W (mm)	Line Retrieve (in)	Drag Pressure (lbs)	Handle length (mm)	Braid Line capacity
TM-10WXA	7.0:1	6BB+1RB	19.1	58/47	47.2	Strike:26.5 Full:33.1	93/105	LB/YD: 65/410 80/320 100/270 No./M: 6/380 8/300 10/250 Ømm/M: 0.42/380 0.48/300 0.52/250
TM-10WXLA	7.0:1	6BB+1RB	19.1	58/47	47.2	Strike:26.5 Full:33.1	93/105	LB/YD: 65/410 80/320 100/270 No./M: 6/380 8/300 10/250 Ømm/M: 0.42/380 0.48/300 0.52/250

MODEL	Gear Ratio	Bearing	Weight (g)	Spool OD/W (mm)	Line Retrieve (cm)	Max Drag Pressure (kg)	Handle length (mm)	Braid Line capacity
TM-10WXA	7.0:1	6BB+1RB	542	58/47	120	Strike:12 Full:15	93/105	LB/YD: 65/410 80/320 100/270 No./M: 6/380 8/300 10/250 Ømm/M: 0.42/380 0.48/300 0.52/250
TM-10WXLA	7.0:1	6BB+1RB	542	58/47	120	Strike:12 Full:15	93/105	LB/YD: 65/410 80/320 100/270 No./M: 6/380 8/300 10/250 Ømm/M: 0.42/380 0.48/300 0.52/250

okuma
INSPIRED FISHING

www.okumafishing.com